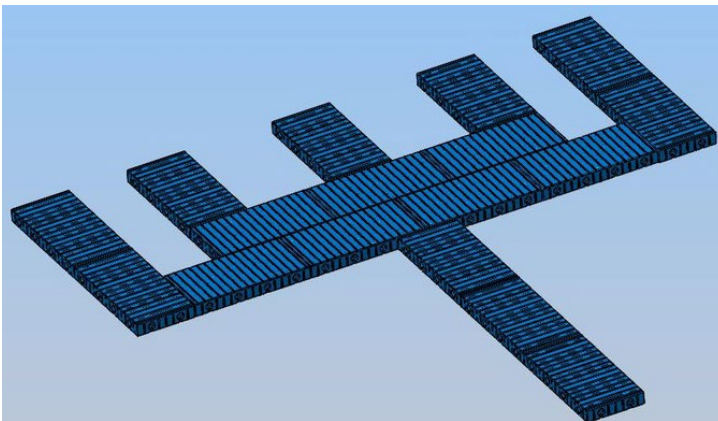

Modular pontoon 1500

1. Product characteristics.....	1
2. Advantages.....	1
3. Connection by chains.....	1
4. Alternative connection: Wood frame.....	2
5. Accessories.....	2
6. Assembly.....	4

1. Product characteristics

Modular pontoon is produced from PE. It is empty inside and has "air chambers" at the bottom. When on water, air chambers are filled with air and provide additional floatation. Pontoon has anti-slip surface, so people can walk barefoot.

2. Advantages

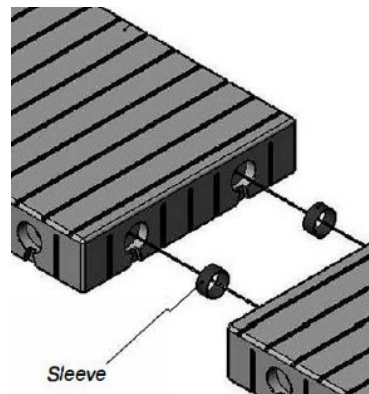


✓ **Custom shape**

Pontoons built on Modular Pontoons can have T shape, L shape, etc...

✓ **Fast installation**

Due to simple connection mechanism and large surface.



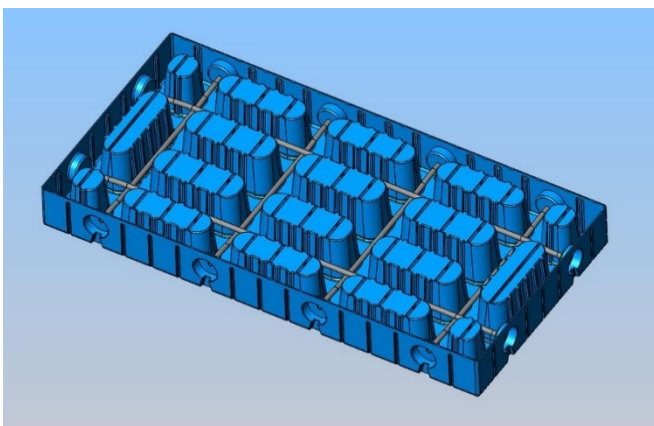
✓ **Rigid**

Sleeve does not allow pontoon shaking\rolling, even when people are standing on the edge between pontoons.

✓ **Easy to wash**

<https://youtu.be/E3UENL4PmF4>

3. Connection by chains



Picture 1: View from top (top surface removed).

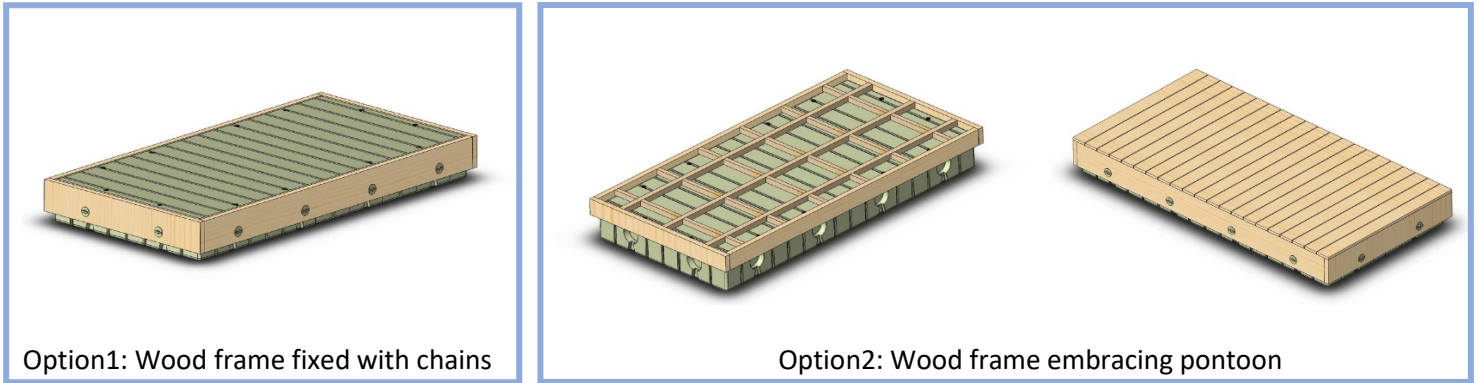


Picture 2: Fixing end of chain.

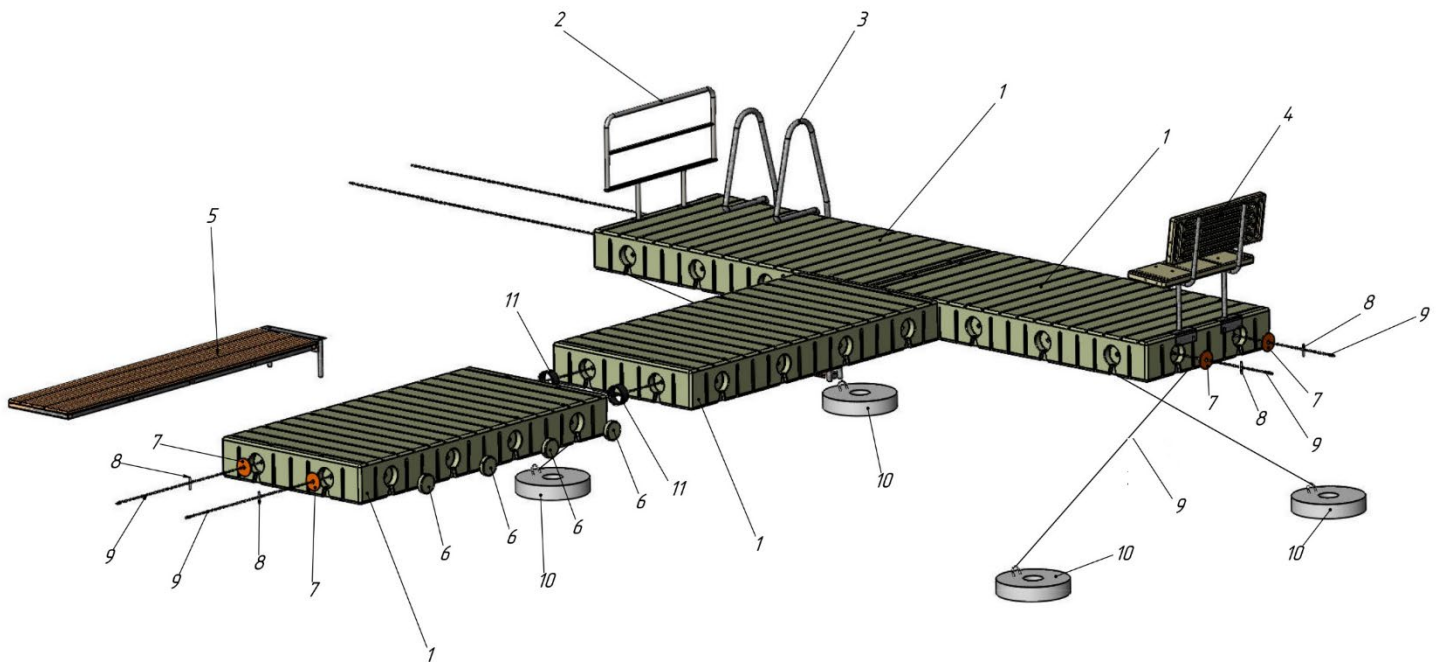
Floats are connected with each other by means of chains. Inside the dock there are pipes (grey color on Picture 1). Chains go inside the pipes, end of chain is fixed by carabine and washer (Picture 2).

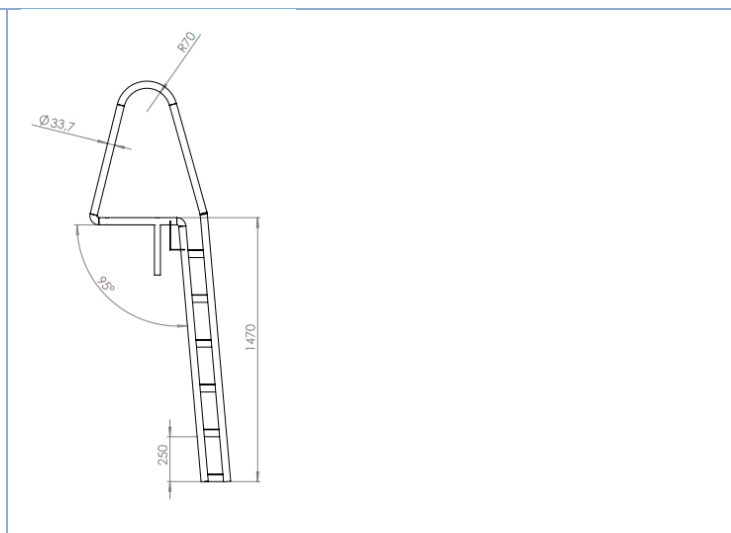
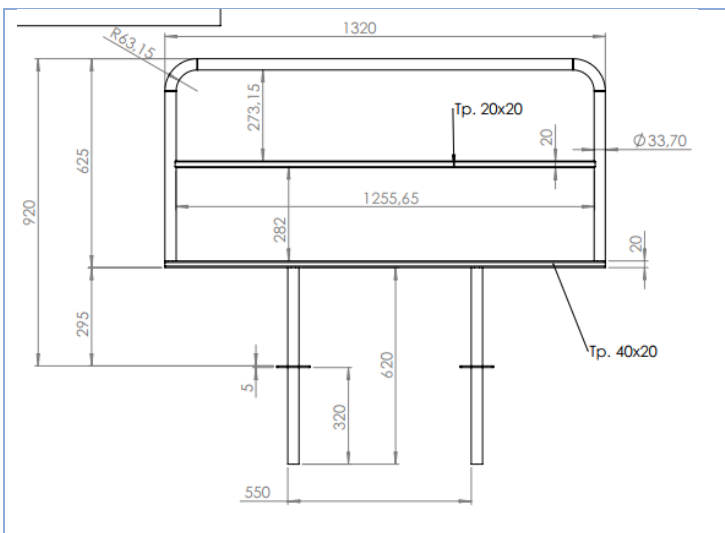
4. Alternative connection: Wood frame

Connection by chains works good, when you put modular pontoons one after another. However, when you want to have gaps between modular pontoons, you need wood frame. Option1 is wood frame, that is connected by chains (left picture) or Option 2 is wood frame embracing modular pontoon (middle picture). In both options you can attach wood decking to the wood frame (right picture).



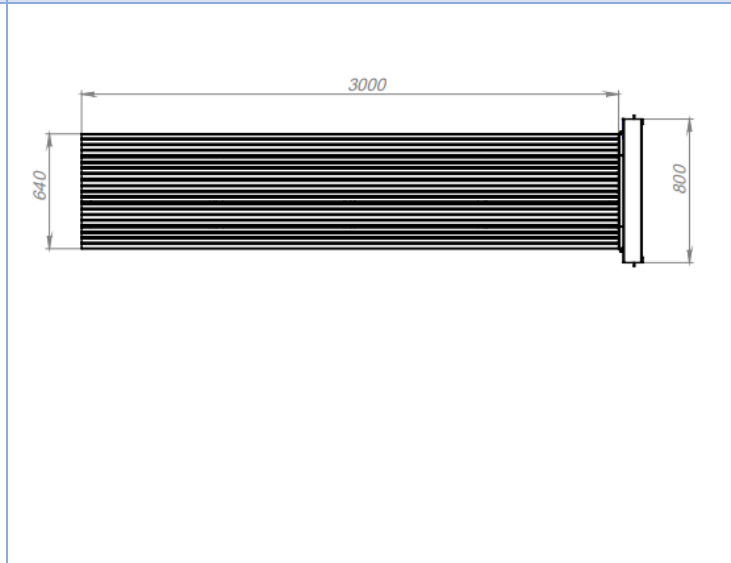
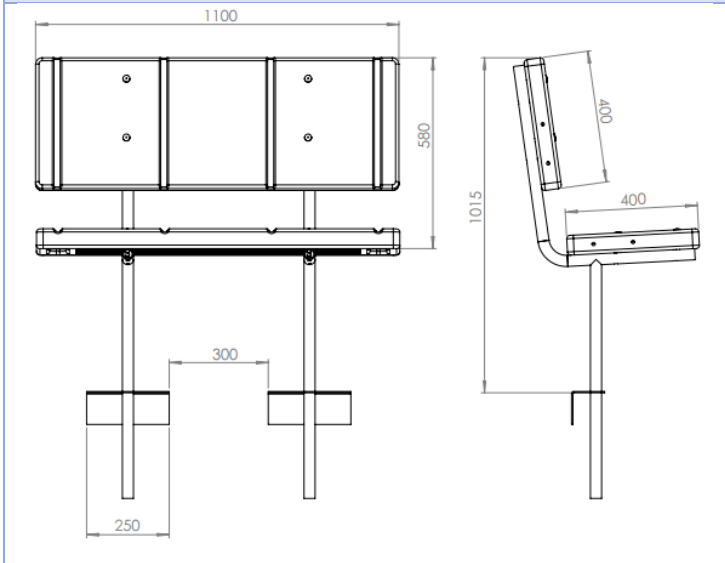
5. Accessories





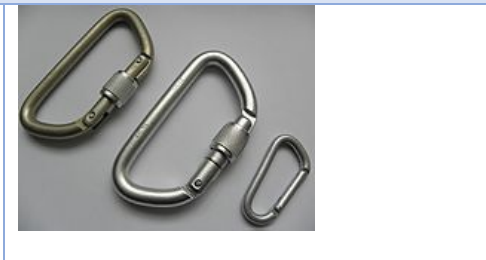
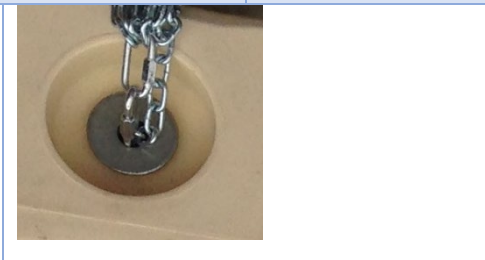
2. Rail

3. Ladder



4. Bench

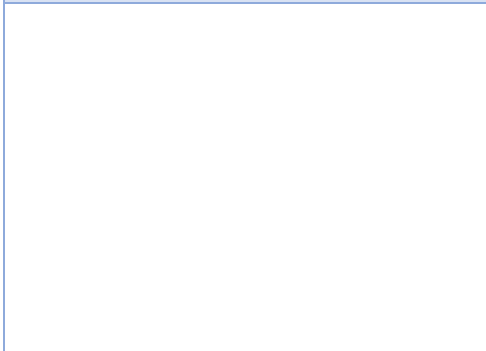
5. Gangway



7. Plug (4 EUR/pc.)

8. Washer

9. Carbine



10. Chain

11. Anchor

12. Sleeve

5.1.1pc. Modular pontoon is shipped with:

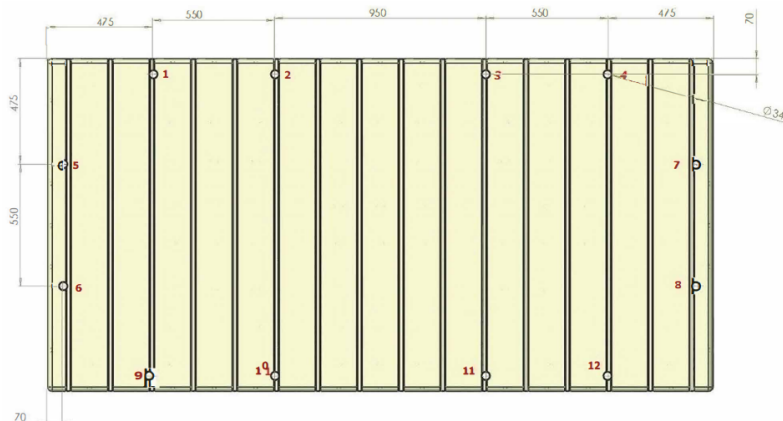
- 4pc. Washer
- 4pc. Carabine

- 8m. chain
- 2pc. Sleeve

This is default list. If customer shows what shape they want to build, we will recalculate accessories list.

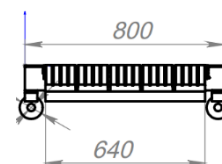
5.2. Connection of Rail, Ladder, Bench to Modular pontoon.

Vertical pipes can be installed in positions 1-13 (left picture), to allow connection of Rail, Ladder, Bench. Rail, Ladder, Bench are than inserted from top to the vertical pipes.(right picture). Installation of vertical pipes should be preordered.



5.3. Connection of Gangway to Modular pontoon.

Gangway is connected rigidly to Modular pontoon and non-rigidly to the land. Chain from Modular pontoon goes through special gangway eyes (picture) and than is fixed with carabine.



6. Assembly

6.1. Assembly Tools

<p>Metal rod (helps to push the chain through pipe)</p>	<p>Chain Strain tool (chain in projects shorter than 10m can be strained by hands)</p>
<p>5 EUR</p>	<p>49 EUR</p>

6.2. Assembly Steps

For example, we would take 2 pc. of Modular pontoons, that have to be connected short side to short side:

1. Use metal rod to insert chain in left pipe of pontoon 1
2. Continue pushing chain through pontoon 2
3. After chain comes out of pontoon2, install washer on that end, fix chain with carabine.
4. Do not strain chain
5. Repeat steps 1-4 for right chain

6. Install washers on the side, where you started to insert chain

7. Strain chains (by hands or winch). Fix this position, by installing carabines.

For steps 1-5 see video <https://youtu.be/RSJH6maSLj4?list=PLE7j3GcxiZ2ozel1Qlfz6uNUfO0ynHiSY>

For step 7 see video <https://youtu.be/cdbG8caD4Ew?list=PLE7j3GcxiZ2ozel1Qlfz6uNUfO0ynHiSY>

6.3. Anchoring

Floating dock can be anchored with help of 2 anchors to the seabed. The anchors are attached with chains to the end of connection chains

On the land side, modular pontoon 1500 can be grounded with help of chains that are connected to some heavy structure on the shore. If no such structure available, chains can be connected to anchors that are dug underground on shore.

6.4. Fixing with Port Extension and piles

[Port Extension](#) and piles can be used as alternative to Anchoring. Piles can be connected to the ground or to neighbour structures (piers, walls, etc..).

Connecting Port Extension to Modular pontoon is the same as connecting 2 Modular pontoons:

- Remove washer and carabine from chain in Modular Pontoon.
- put Sleeve
- Insert this chain into Port extension.
- Fix chain on the outside with washer and carabine.

