

Houseboat floats

1. Select correct product for your Houseboat	1
2. Product characteristics.....	2
3. Connection	2
4. Steel platform	3
5. Transportation	4

1. Select correct product for your Houseboat

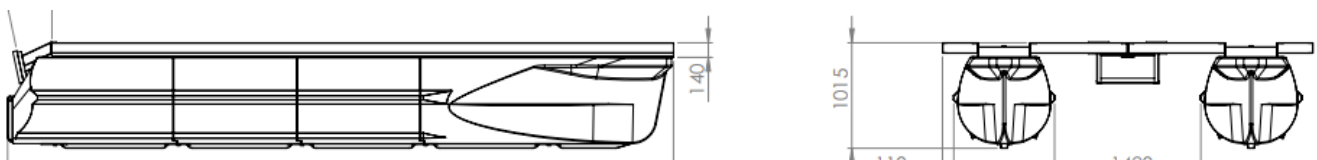
For the moment we have 4 families of houseboat floats (W800, W900, W1200, W1200S). They have different width, so provide different carrying capacity. To select proper family, you need to check: *weight of your houseboat (including: people, furniture, steel platform and floats)* > 70% *of carrying capacity of floats*. Alternatively, you can provide us dimensions of your houseboat and houseboat weight and we will do calculation for you.

Each family consists of Front, Middle and Back float:

		
W 900 Front	W 900 Middle	W 900 Back

W800, W900 and W1200S families have usual Front and Speed Front. Speed Front provides less water resistance, but has less carrying capacity. Speed front floats have double length (2.4m) and hence cost double price.

QTY of floats in Catamaran platform = *Houseboat Length* / 1,2 x 2. Unlike pontoon floats, houseboat floats can not have gaps between floats. So your houseboat platform will consist of 2 (or 3) rows of floats, each row having 1 front float, several middle floats and 1 back float:

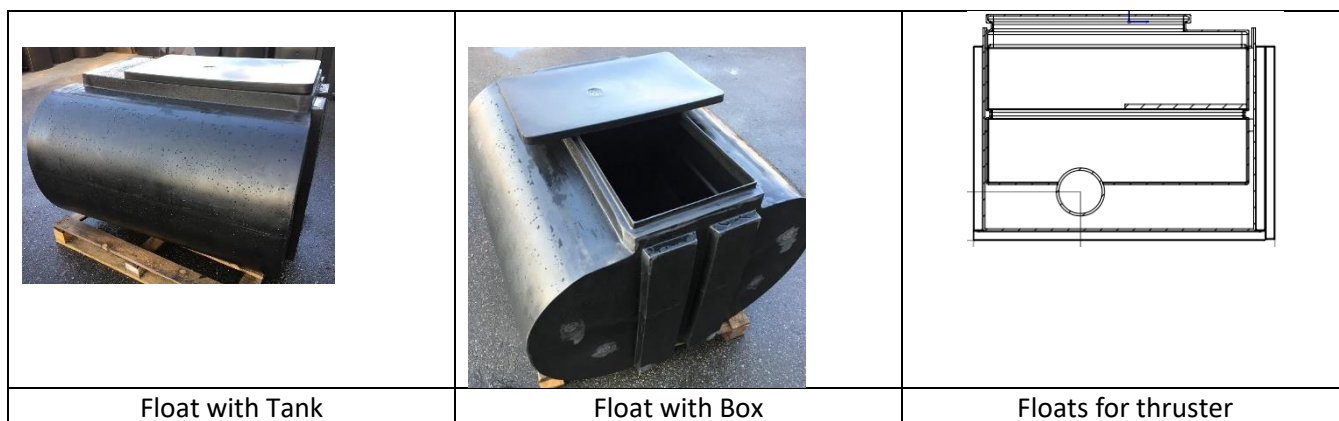


1.1. Floats for storage

- Liquid storage:
 - Option 1: All our floats can be produced empty inside, with thicker walls. (Empty floats have Thick at the end of model name, for example W 900 Middle Thick)
 - Option 2: There are models of floats with built in Tank (Advantages compared to empty floats: foam insulation provides warmer liquid, sometimes empty float has too big volume).

Tank does not have lid, but customer can afterwards attach lid and piping to the top of the float, using screws.
- Diesel storage: Floats with built in Tank can be produced for diesel storage (tank is produced from special PE)
- Machinery storage: There are models of floats with built in Box. Box, compared to Tank, has big lid.

- Floats for thruster: Float consists of Box and thruster pipe. We can install thruster pipe in all floats with Boxes: Front, Middle and Back. As standard we install thruster pipe 197mm, but 155mm is also available. Note, that inner dia of thruster pipe should be always bigger than propeller dia.



2. Product characteristics

- ✓ Material: 9mm PE (Polyethylene)
- ✓ Filling inside: 19 kg/m²EPS (Polystyrene)
- ✓ Winter ready: Float maintains its shape and is resistant to mechanical deformations, incl. ice pressure
- ✓ Float will not sink in case of hole
- ✓ Houseboats on our floats can be certified for Category D

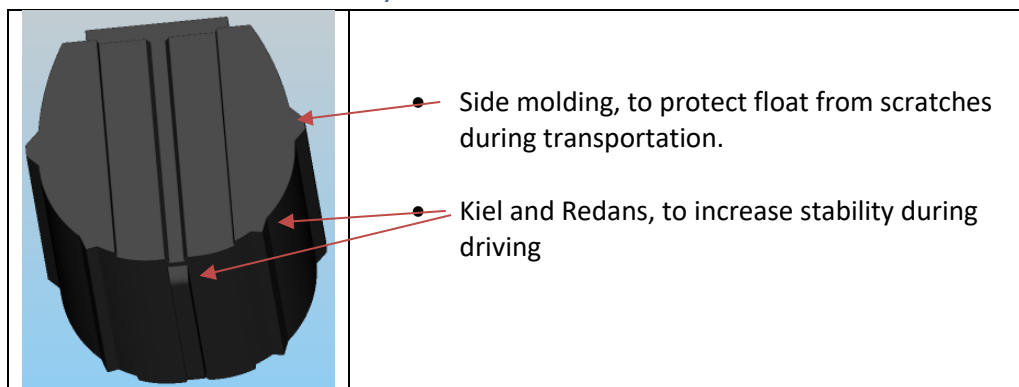


2.1. Features of W 800

Upper surface of W 800 has horizontal plates to allow connection of wood platform. To connect - simply drill through PE plate and wood bar and put a bolt.



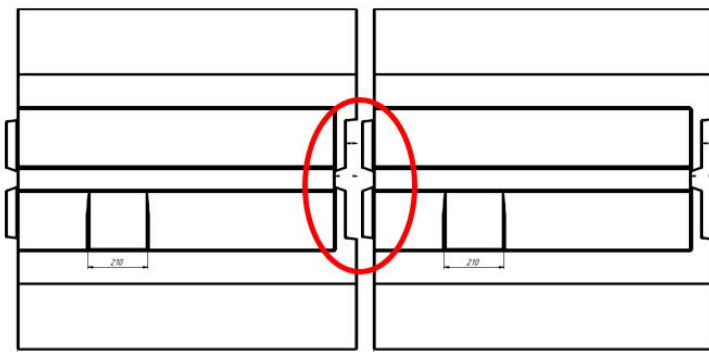
2.2. Features of W 900/ W 1200S



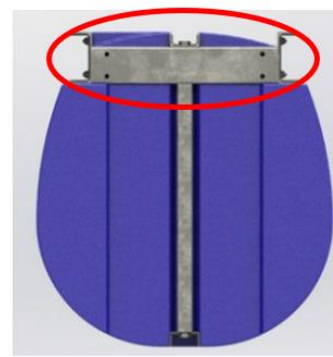
W 1200 S is not sold by dealers, only by UHP.

3. Connection

Unlike pontoon floats, there are no bolts, connecting float and steel platform. Instead float is embrace by steel platform. Floats are assembled in 1 row, can not move in horizontal direction, due to presence of "horizontal lock". Steel platform also embraces upper part of float to prevent horizontal (side) movement.

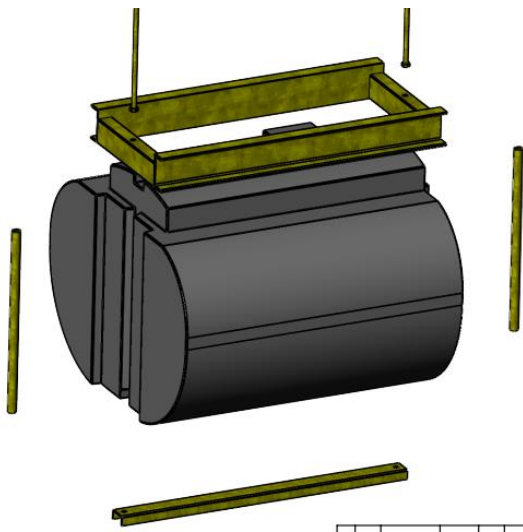


Picture: W 1200 Middle floats in a row, view from Top.



Picture: platform embracing W800, view from Back

To prevent vertical and horizontal (forward) movements, platform is connected to the underwater structure. All floats have the same connection principle, only difference: in W900/W1200S there is no underwater beam, only plate.



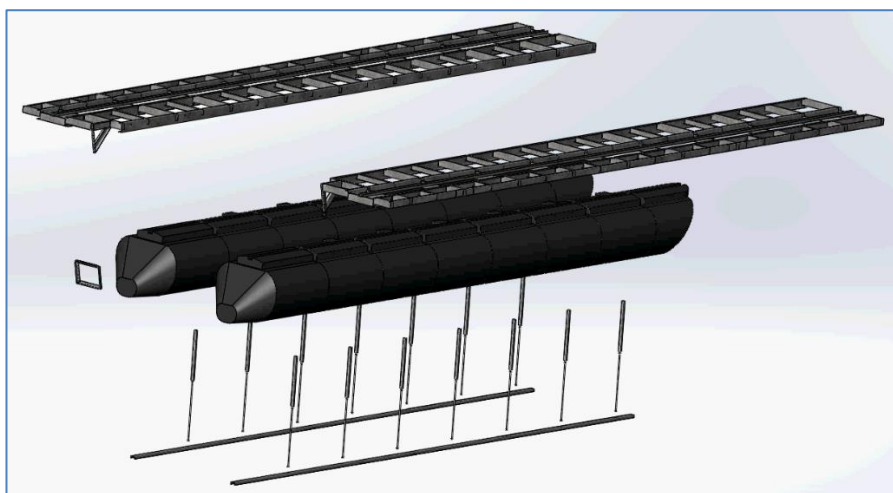
Platform connection with W 1200/ W800



Platform connection with W 1200 S/ W900

4. Steel platform

We have catalogue of [Standard catamaran platforms](#). To fit regular transport, platforms are produced in 2 parts (3 parts for platforms wider than 5m) and have general design as below:

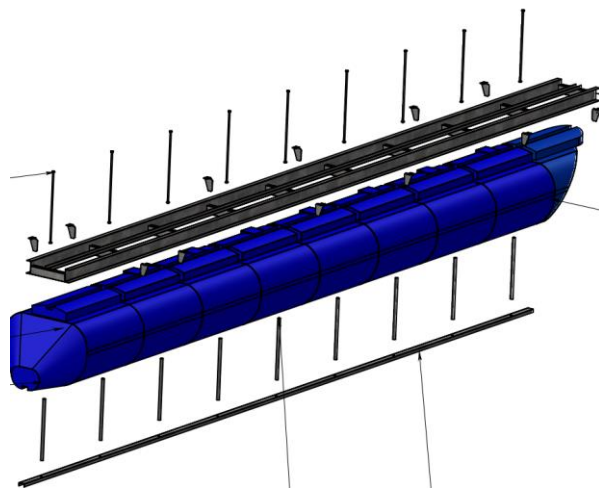


Basic platform has 1 engine holder, suitable for engine with maximum 75HP. We also produce custom steel platforms.

Additional services:

4.1. Steel subframe

If you do not want to order complete steel platform from us (for example, you want to use wood platform), but want to get floats connection, we can produce a subframe. Subframe holds floats together and custom platform can be connected to the top of it.



5. Transportation

To optimize space, we put steel platform parts on bottom of the truck and than floats on top (non-palletized). Per request, we can connect floats to parts of steel platform and load it on the truck, so that customer only needs to connect left and right parts of platform.